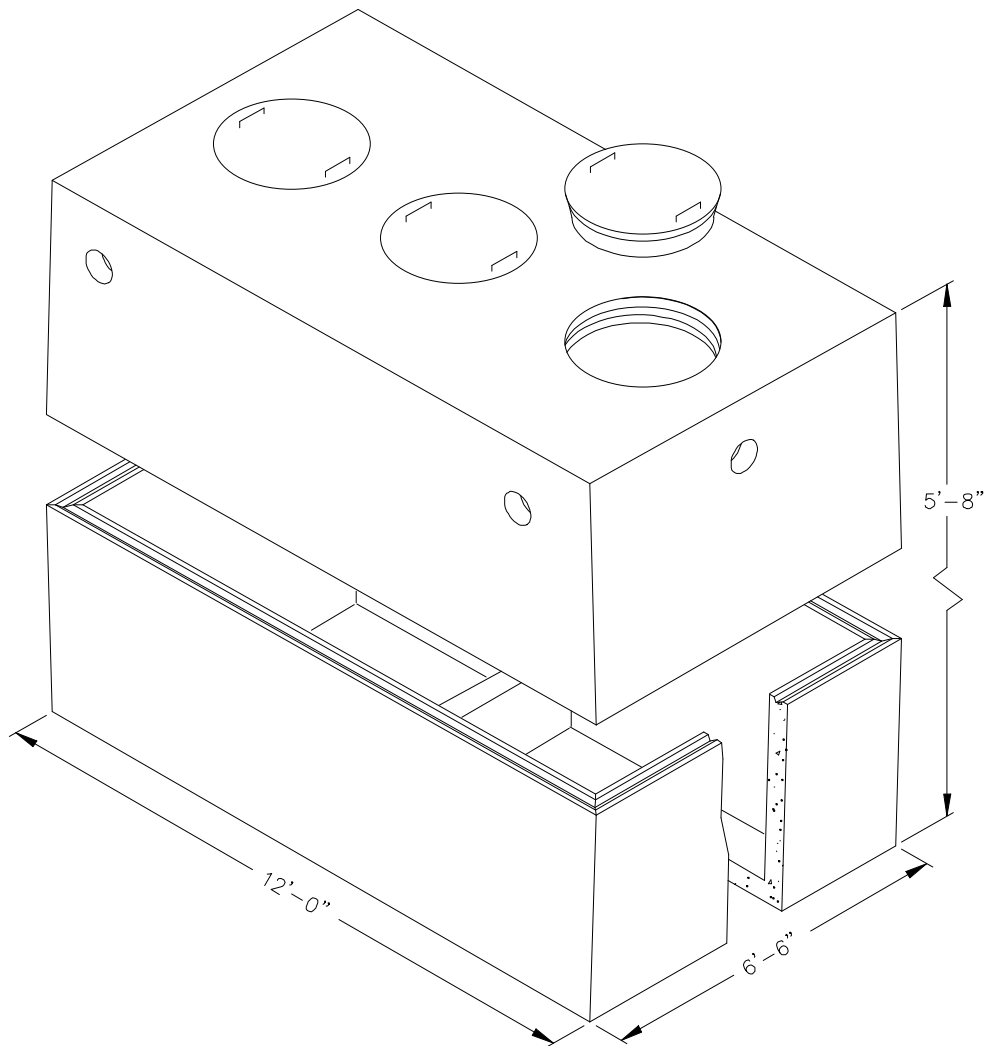


**SHOREY
PRECAST
CONCRETE
PRODUCTS**

**SEPTIC TANK
2,000 GALLON (H-10)**

2-Compartment



SHOREY PRECAST CONCRETE PRODUCTS

351 Whites Path

S. Yarmouth, MA 02664

(800) 439-0965 • (508) 760-1070