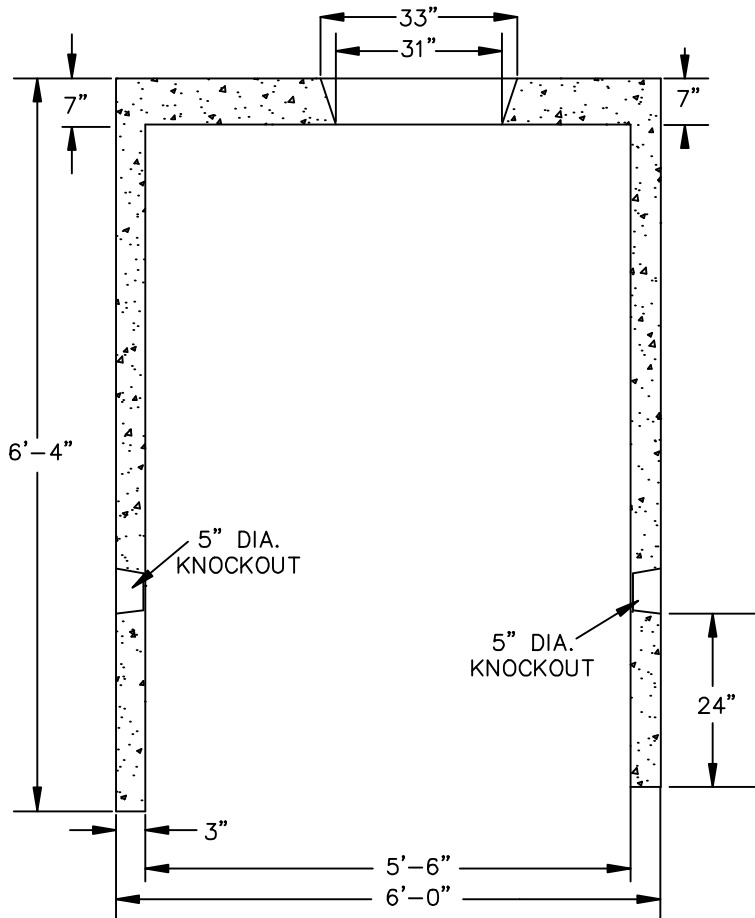
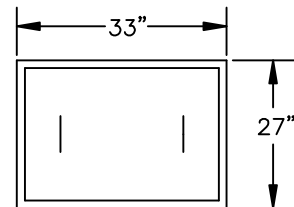
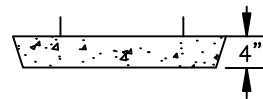
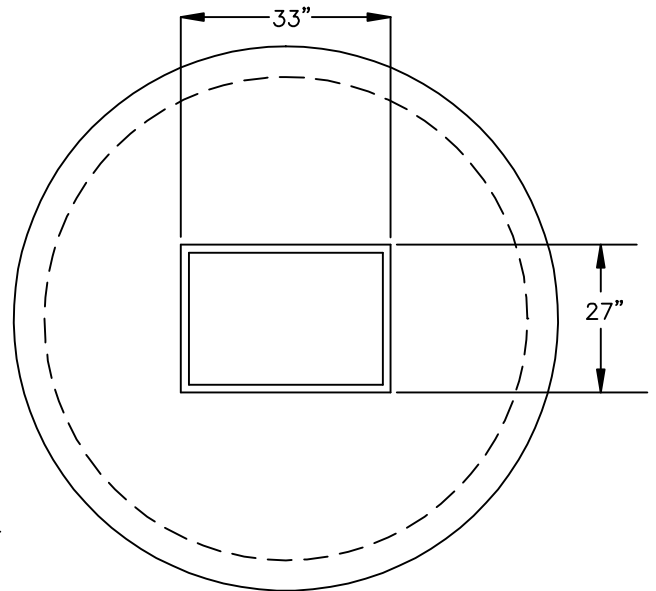


WELL PIT 6' x 6' (H-20)



CROSS SECTION VIEW



STEEL REINFORCEMENT ROD
IN COVER

SPECIFICATIONS

- Concrete Minimum Strength: 4,000 P.S.I @ 28 days
- Steel Reinforcement: AS-615-68, Grade 60
- Design Loading: AASHTO - H-20 Meets ASTM Spec. C1227
- Weight: 6,320 lbs.