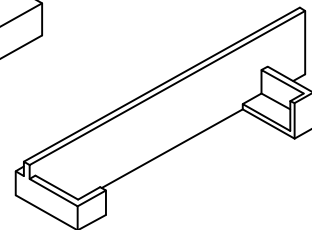
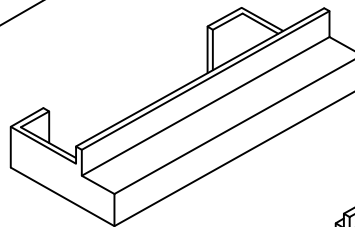
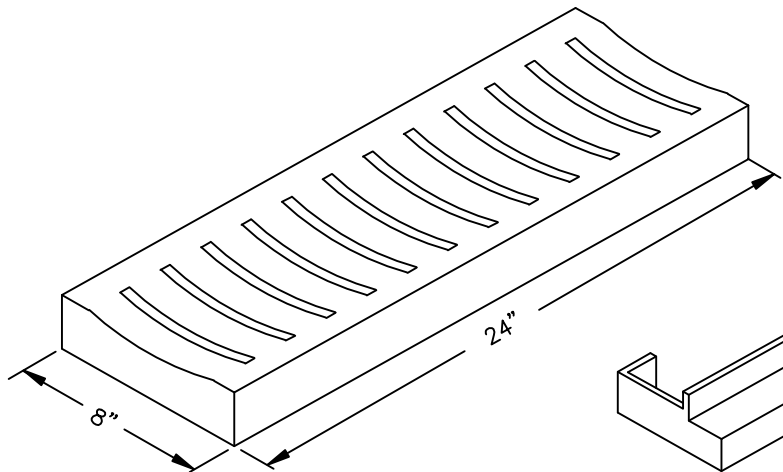
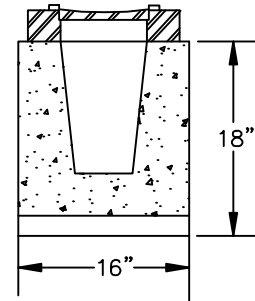
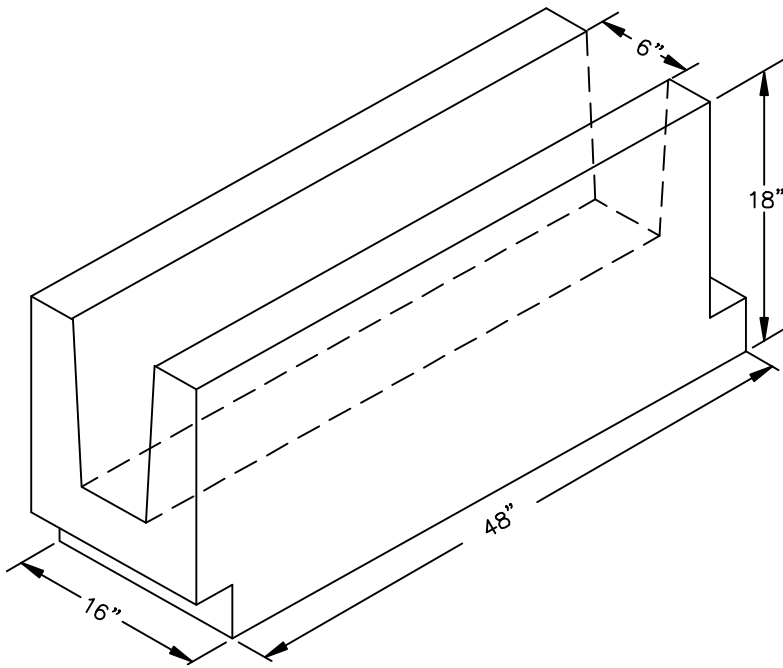


**SHOREY
PRECAST
CONCRETE
PRODUCTS**

TRENCH DRAIN & GRATE



CAST IRON
RAIL & GRATE

SHOREY PRECAST CONCRETE PRODUCTS

351 Whites Path

S. Yarmouth, MA 02664

(800) 439-0965 • (508) 760-1070