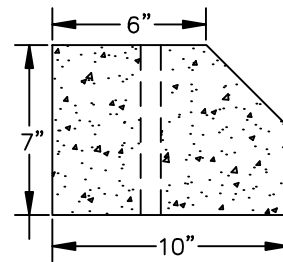
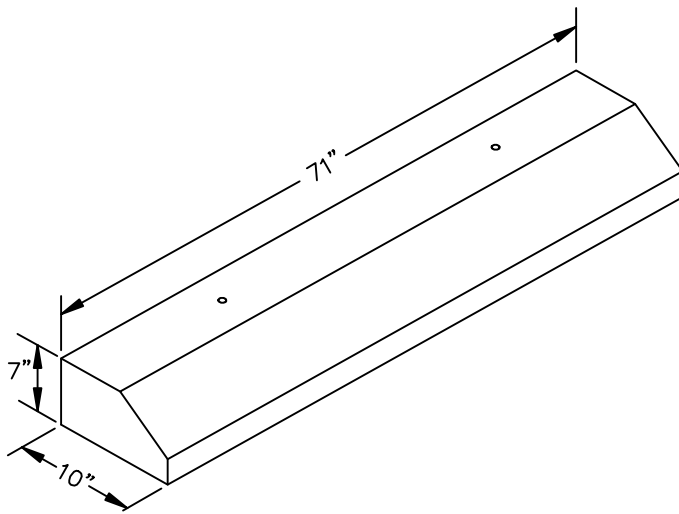


**SHOREY  
PRECAST  
CONCRETE  
PRODUCTS**

**PARKING STOP**



## **SPECIFICATIONS**

**Concrete Minimum Strength: 4,000 P.S.I @ 28 days**  
**Steel Reinforcement: AS-615-68, Grade 60**  
**Design Loading: AASHTO - H-10**  
**Weight: 376 lbs.**

**SHOREY PRECAST CONCRETE PRODUCTS**

**351 Whites Path**

**S. Yarmouth, MA 02664**

**(800) 439-0965 • (508) 760-1070**