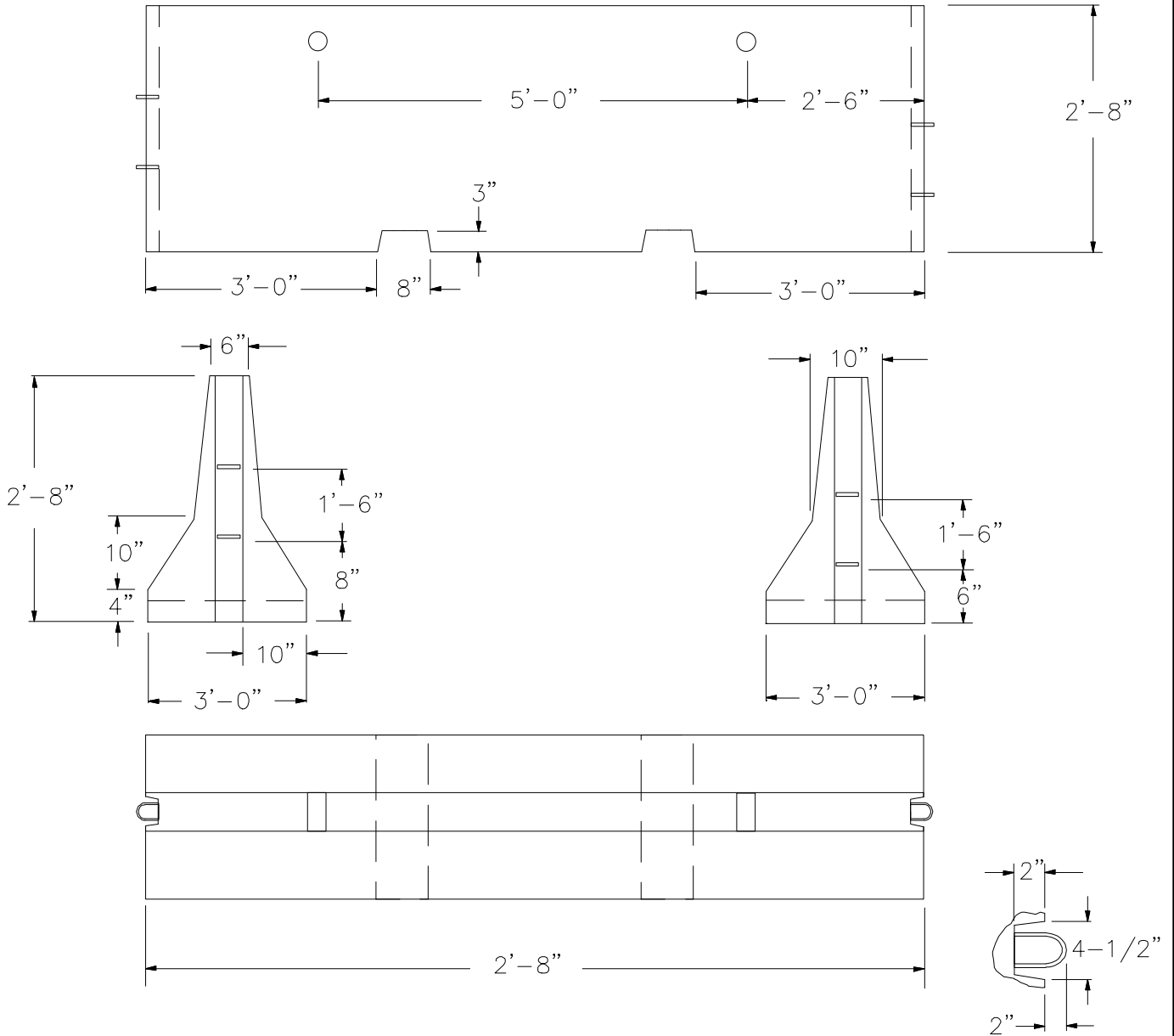


SHOREY PRECAST CONCRETE PRODUCTS

MEDIAN BARRIERS 2'-0" X 10'-0" X 2'-8" HIGH



- Concrete Minimum Strength: 5,000 P.S.I @ 28 days
- 5/8" Dia. Rebar bent to accept 1" Dia. Connecting Rod
- Lifting Holes Accept 1-3/4" Dia. H.T. Rod
- Weight: 4,200 lbs.

SHOREY PRECAST CONCRETE PRODUCTS

351 Whites Path

S. Yarmouth, MA 02664

(800) 439-0965 • (508) 760-1070