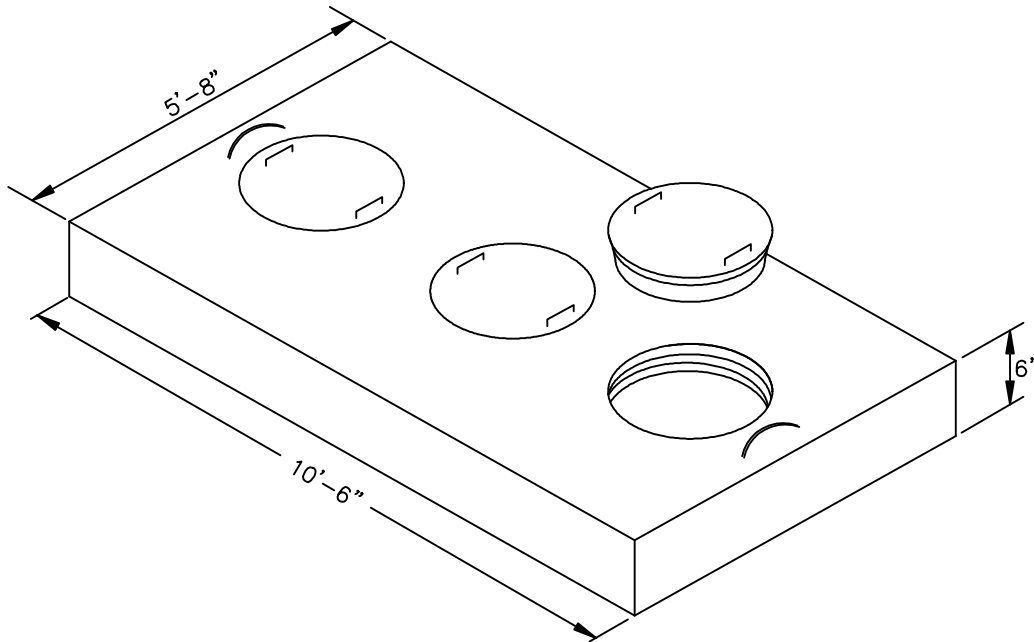


**SHOREY  
PRECAST  
CONCRETE  
PRODUCTS**

**1,500 GALLON  
TANK SLAB  
H-20**



### **SPECIFICATIONS**

Concrete Minimum Strength: 4,000 P.S.I @ 28 days  
Steel Reinforcement: AS-615-68, Grade 60  
Design Loading: AASHTO - H-20  
Weight: 4400 lbs.

**SHOREY PRECAST CONCRETE PRODUCTS**

351 Whites Path

S. Yarmouth, MA 02664

(800) 439-0965 • (508) 760-1070