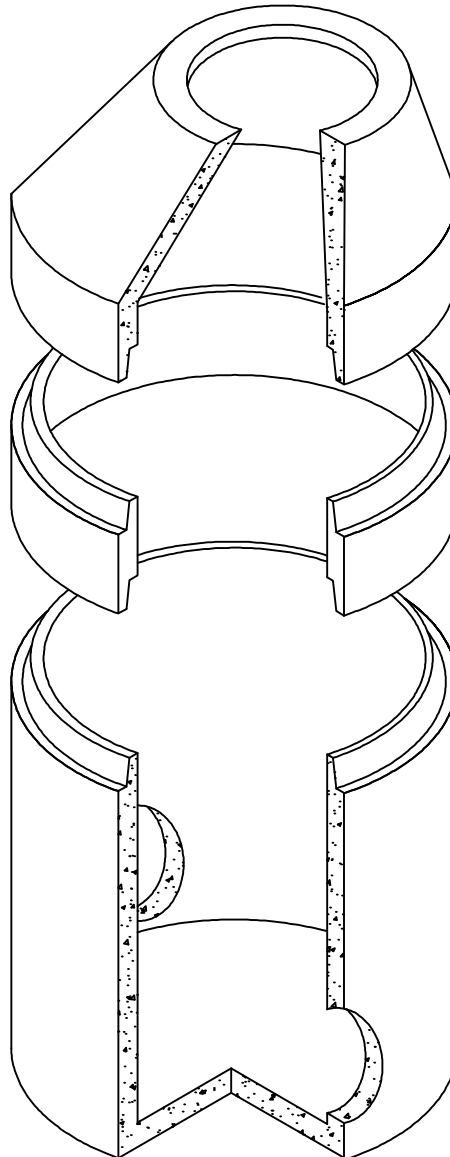


**SHOREY
PRECAST
CONCRETE
PRODUCTS**

**SEWER MANHOLE
4'-0" DIAMETER
SMH-4'DIA-H-20**



VARIOUS
BOOTS
AVAILABLE

SHOREY PRECAST CONCRETE PRODUCTS

351 Whites Path

S. Yarmouth, MA 02664

(800) 439-0965 • (508) 760-1070