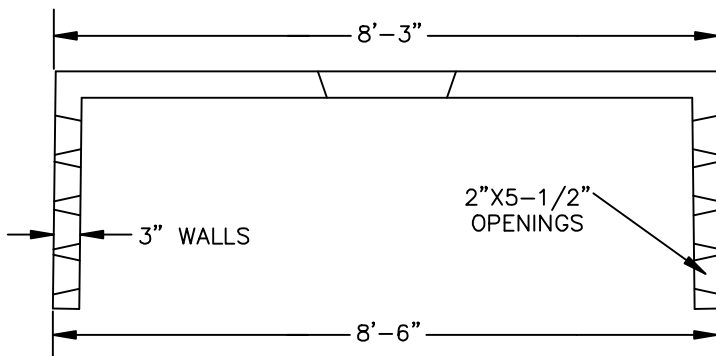
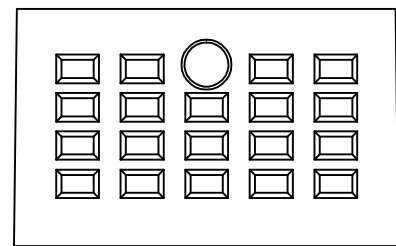
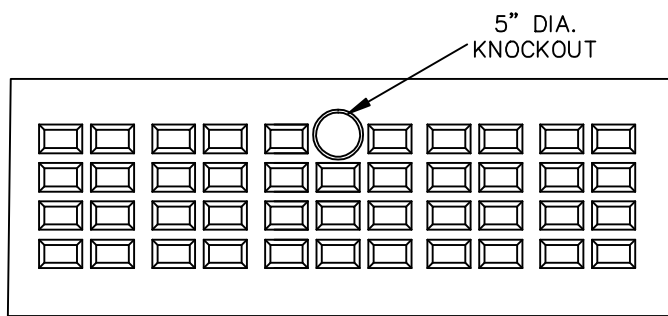
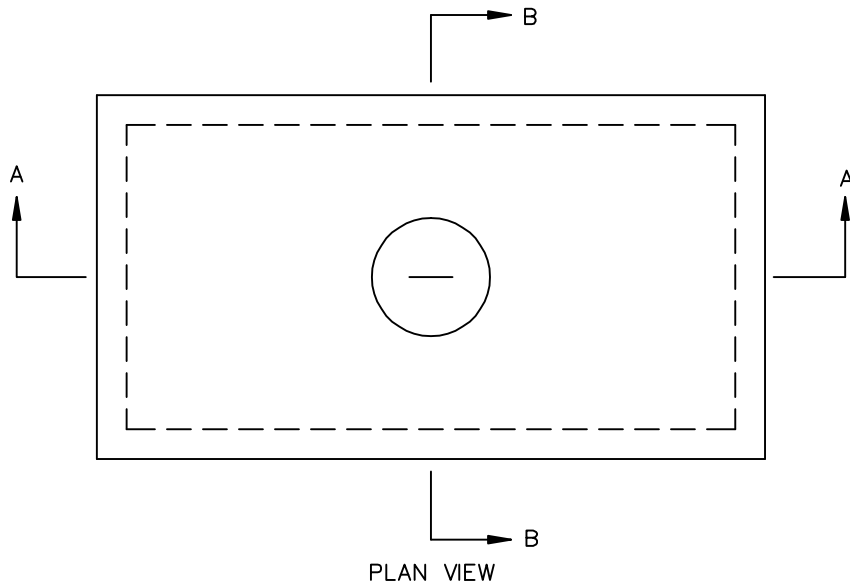
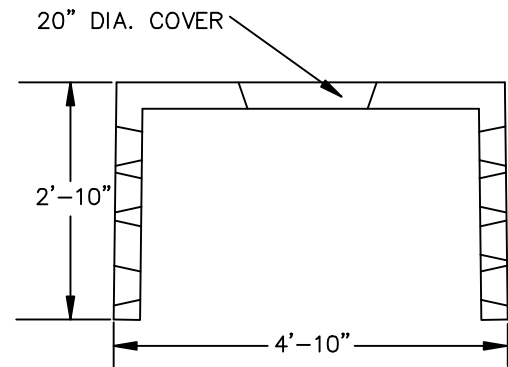


LEACHING DRYWELL 500 GALLONS (H-10)

LD-500 H-10



SECTION A-A



SECTION B-B

SPECIFICATIONS

- Concrete Minimum Strength: 4,000 P.S.I @ 28 days
- Steel Reinforcement: AS-615-68, Grade 60
- Design Loading: AASHTO - H-10 Meets ASTM Spec. C1227
- Weight: 3,862 lbs.