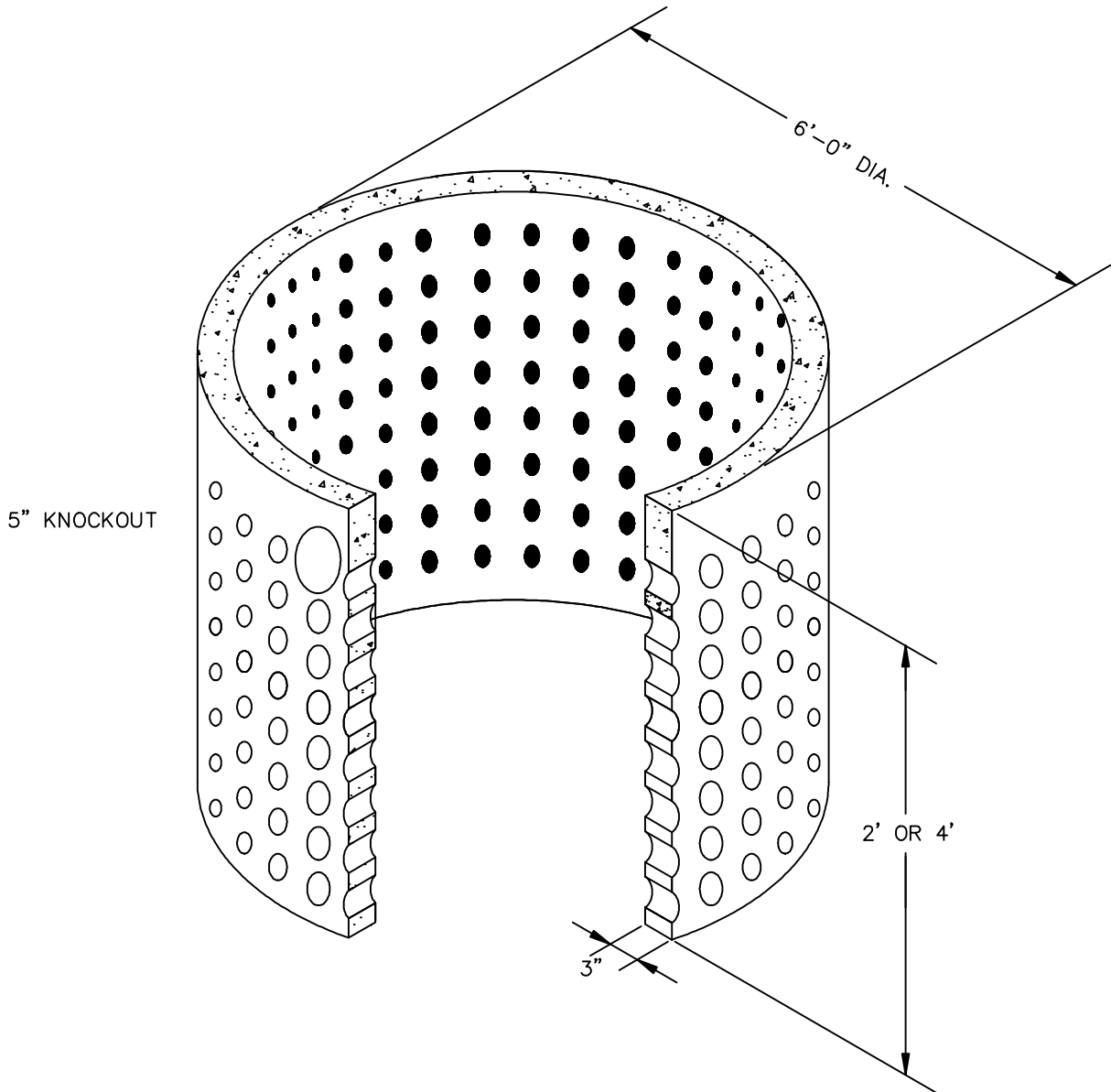


**SHOREY
PRECAST
CONCRETE
PRODUCTS**

**LEACH CATCH BASIN SHIM
2' & 4' SECTIONS
6' DIAMETER
LCBS-H-20**



SHOREY PRECAST CONCRETE PRODUCTS

351 Whites Path

S. Yarmouth, MA 02664

(800) 439-0965 • (508) 760-1070