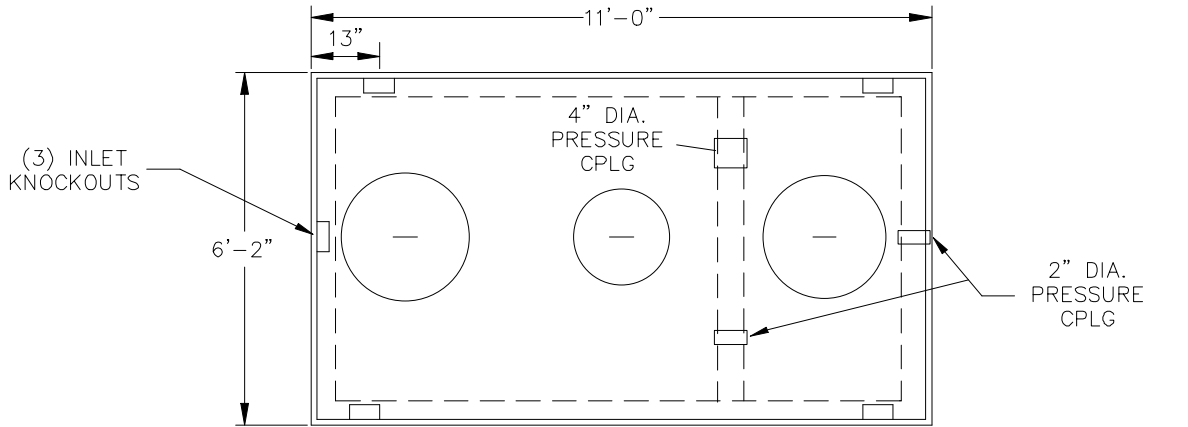


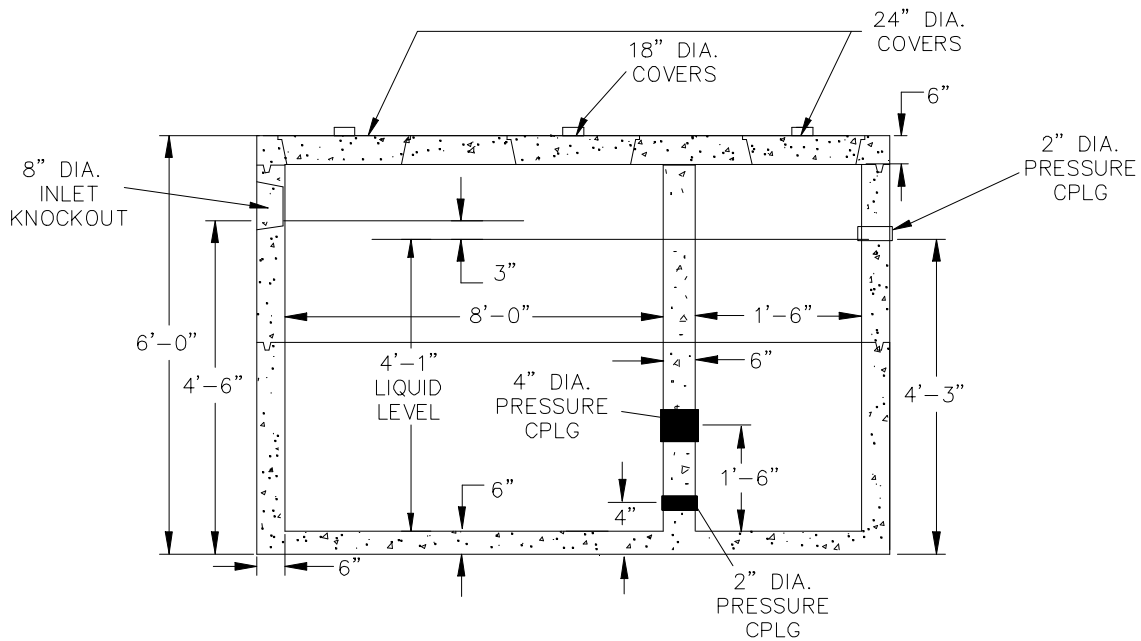
SEPTITECH - 1,500 GALLON (H-20)

1500 Gallon 2-Compartment

3 PIECE PROCESSOR TANK



PLAN VIEW



CROSS SECTION VIEW

SPECIFICATIONS

- Concrete Minimum Strength: 5,000 P.S.I @ 28 days
- Steel Reinforcement: AS-615-68, Grade 60
- Design Loading: AASHTO - H-20 Meets ASTM Spec. C1227
- Weight: 23,375 lbs.