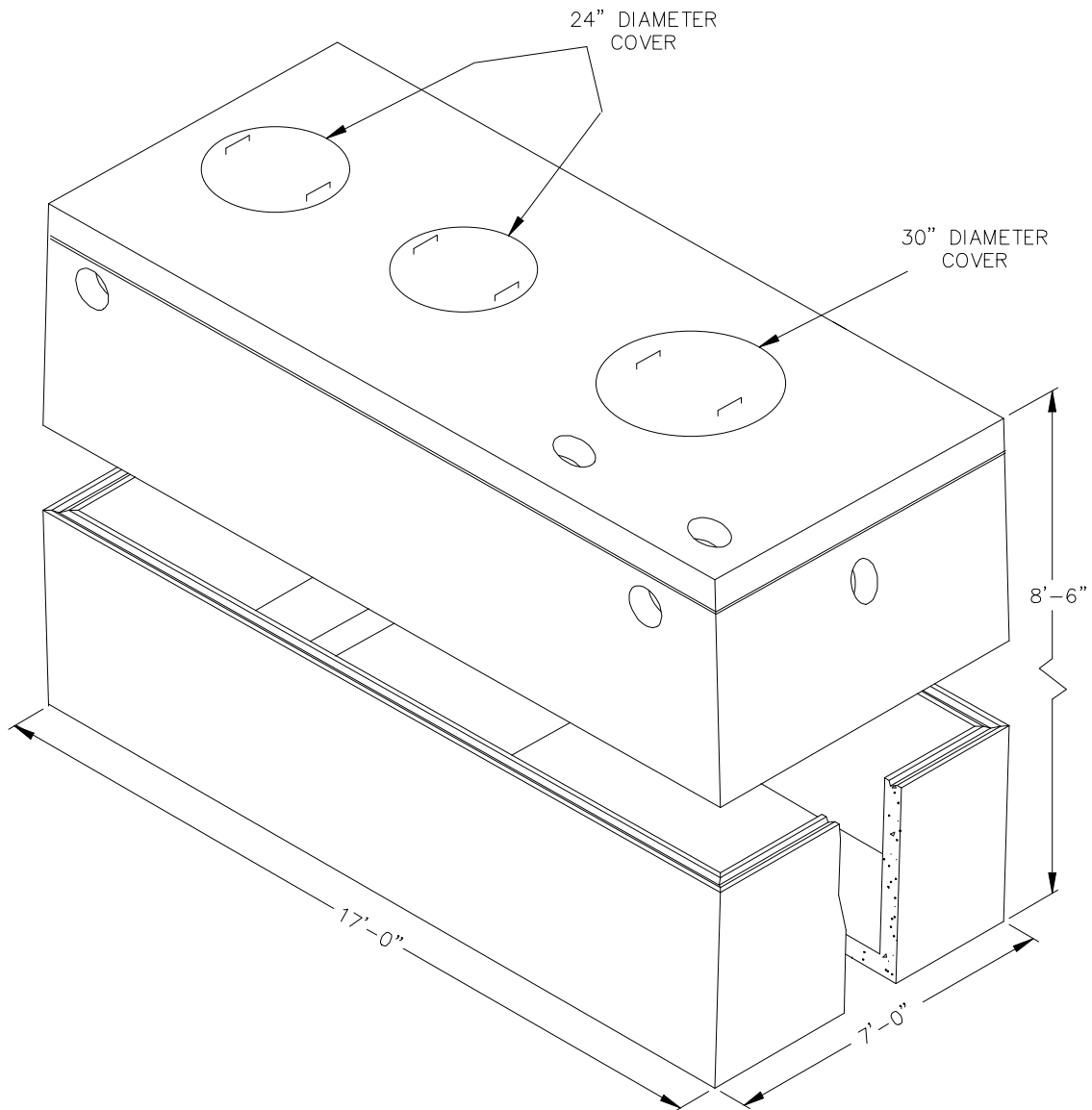


**SHOREY
PRECAST
CONCRETE
PRODUCTS**

**3,000 GALLON (H-20)
1.0 HighStrengthFAST TANK
(2-Compartment 3 pc Tank)**



SHOREY PRECAST CONCRETE PRODUCTS

351 Whites Path

S. Yarmouth, MA 02664

(800) 439-0965 • (508) 760-1070