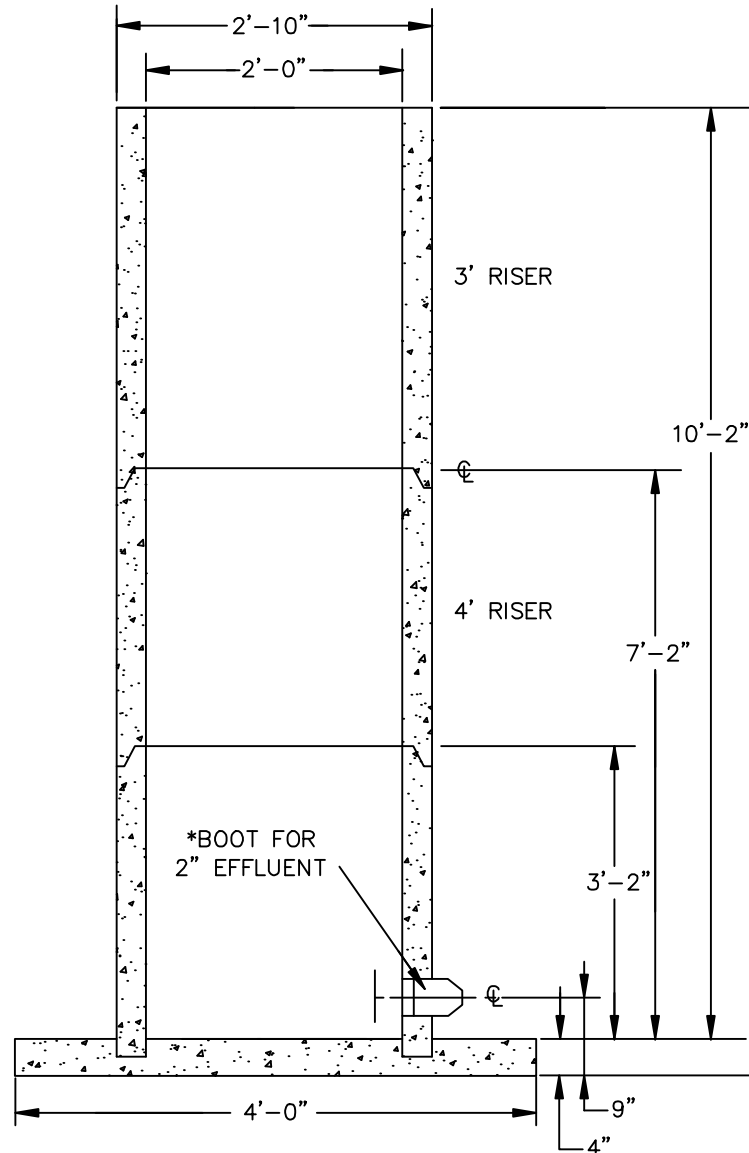


**SHOREY  
PRECAST  
CONCRETE  
PRODUCTS**

**2FT DIA. AMPHIDROME  
H-20 TANK  
(RESIDENTIAL)**



\*ALL OTHER CORES TO  
BE FIELD DRILLED BY  
CUSTOMER

## **SPECIFICATIONS**

**Concrete Minimum Strength: 4,000 P.S.I @ 28 days**

**Steel Reinforcement: AS-615-68, Grade 60**

**Design Loading: AASHTO - H-20 Meets ASTM Spec. C1227**

**Weight: 5,300 lbs.**

**SHOREY PRECAST CONCRETE PRODUCTS**

**351 Whites Path**

**S. Yarmouth, MA 02664**

**(800) 439-0965 • (508) 760-1070**