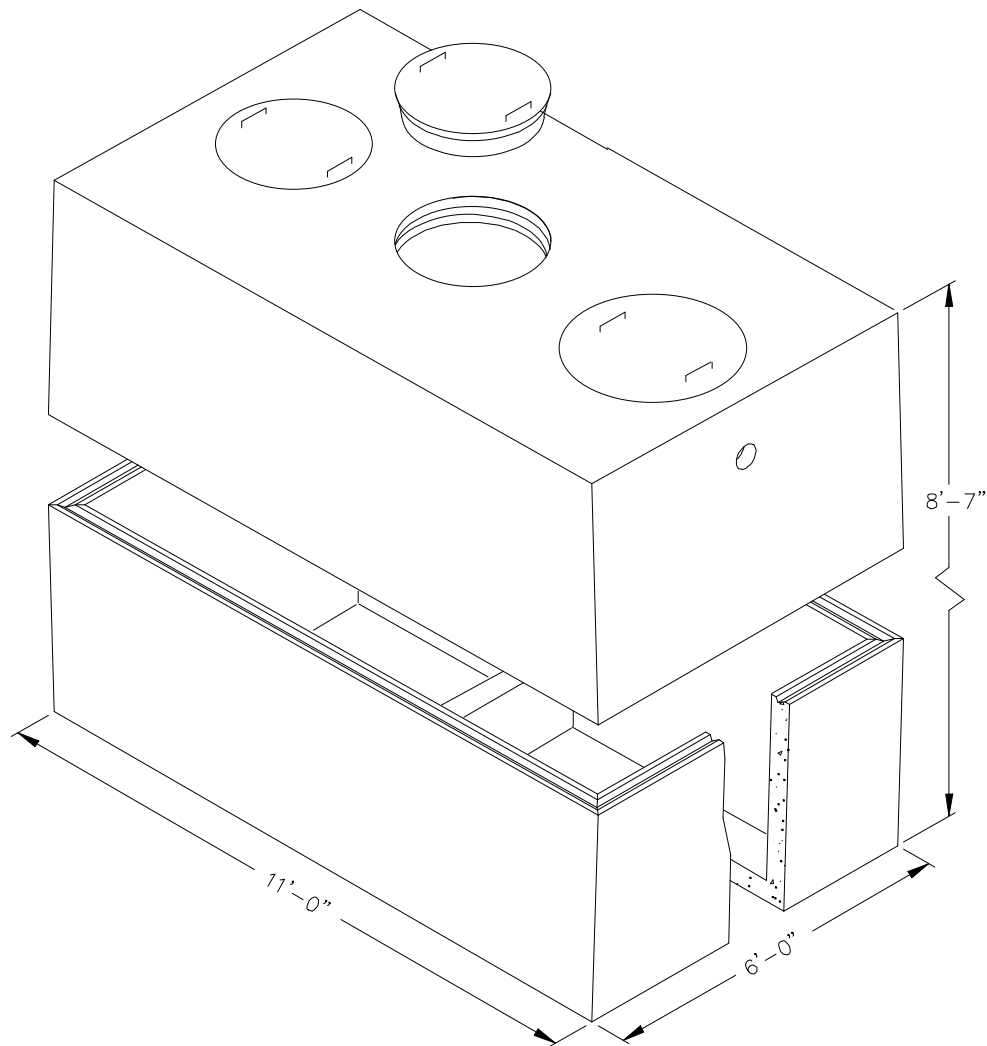


**SHOREY
PRECAST
CONCRETE
PRODUCTS**

SEPTIC TANK/PUMP CHAMBER

2,500 GALLON (H-20)

2500 Gallon 2-Compartment



SHOREY PRECAST CONCRETE PRODUCTS

351 Whites Path

S. Yarmouth, MA 02664

(800) 439-0965 • (508) 760-1070