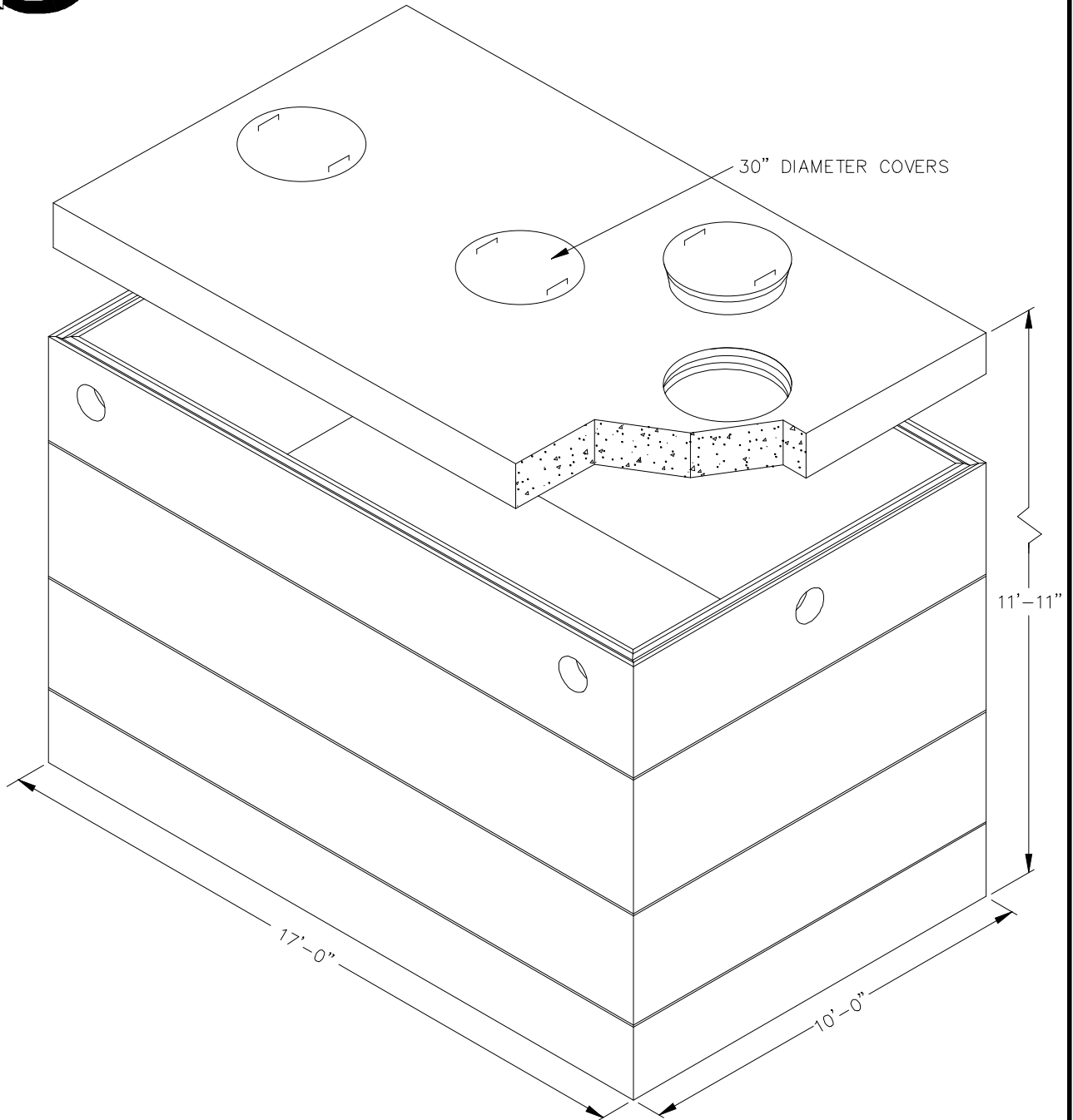


**SHOREY
PRECAST
CONCRETE
PRODUCTS**

**LOW PROFILE
SEPTIC TANK
10,000 GALLON (H-20)**

ST-LOW-10000-H-20



SHOREY PRECAST CONCRETE PRODUCTS

351 Whites Path

S. Yarmouth, MA 02664

(800) 439-0965 • (508) 760-1070