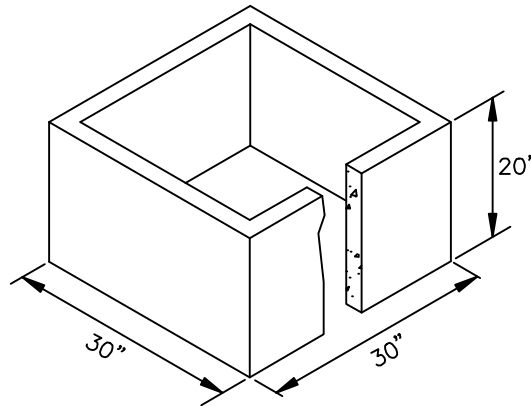


**SHOREY
PRECAST
CONCRETE
PRODUCTS**

**DB-9 RISER
GUTTER INLET**

DB-9
H-20



SHOREY PRECAST CONCRETE PRODUCTS

351 Whites Path

S. Yarmouth, MA 02664

(800) 439-0965 • (508) 760-1070