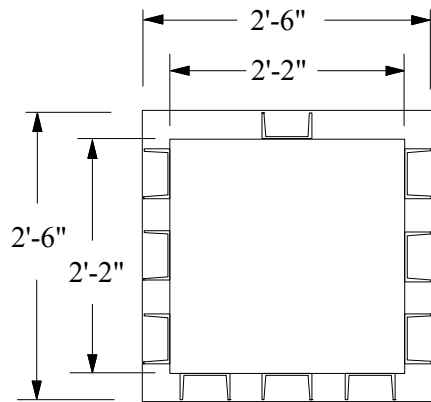
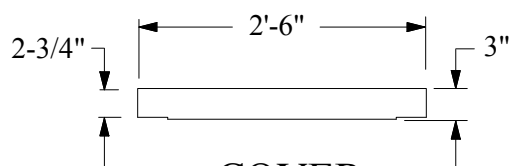
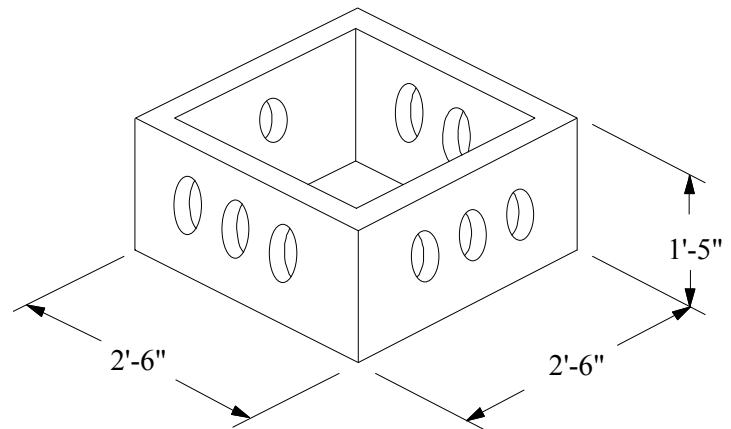


SHOREY PRECAST CONCRETE PRODUCTS

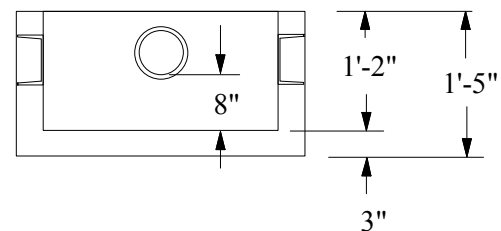
DISTRIBUTION BOX DB-9 POLY LOW PROFILE H-10



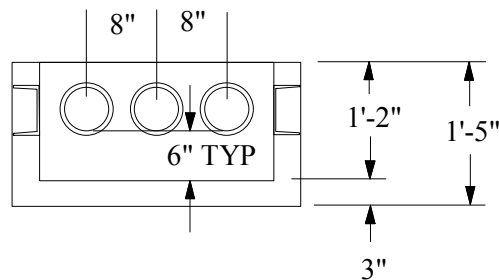
TOP VIEW



COVER



SIDE VIEW - INLET



SIDE VIEW - OUTLET

SHOREY PRECAST CONCRETE PRODUCTS

351 Whites Path
S. Yarmouth, MA 02664
(800) 439-0965 (508) 760-1070

SPECIFICATIONS

- Concrete Minimum Strength: 5,000 P.S.I @ 28 days
- Steel Reinforcement: AS-615-68, Grade 60
- Design Loading: AASHTO - H-10
- Meets ASTM Spec. C1227
- Weight: 780 lbs.