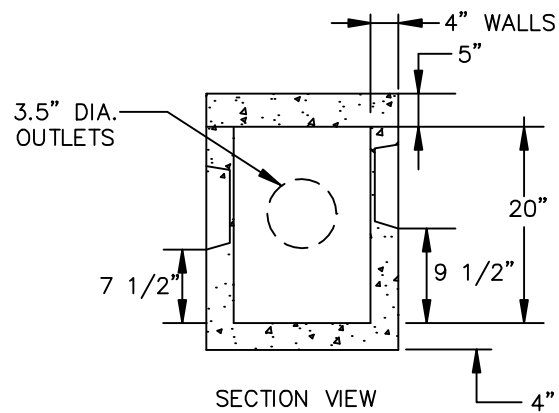
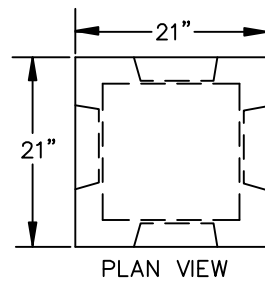


DISTRIBUTION BOX - DB-3 (H-20)



SPECIFICATIONS

- Concrete Minimum Strength: 4,000 P.S.I @ 28 days
- Steel Reinforcement: AS-615-68, Grade 60
- Design Loading: AASHTO - H-10 Meets ASTM Spec. C1227
- Weight: 700 lbs.