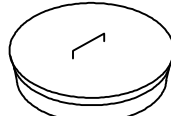


**SHOREY
PRECAST
CONCRETE
PRODUCTS**

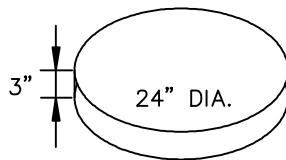
COVERS

H-10



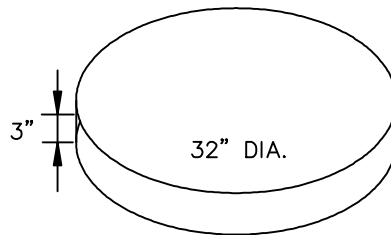
21" DIA.

WEIGHT = 65 LBS



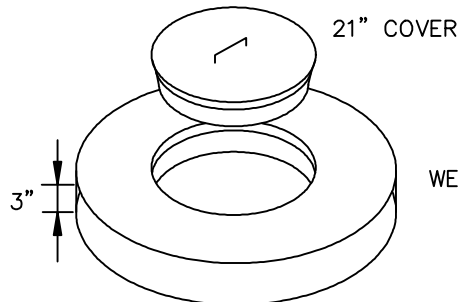
24" DIA.

WEIGHT = 116 LBS



32" DIA.

WEIGHT = 207 LBS



21" COVER

32" DIA. COLLAR

WEIGHT = 141 LBS

36" COLLAR WEIGHT = 197 LBS
36" COVER = 262 LBS

SHOREY PRECAST CONCRETE PRODUCTS

351 Whites Path

S. Yarmouth, MA 02664

(800) 439-0965 • (508) 760-1070